



# USER MANUAL

## 600 // ELECTRIC OVEN 5 FUNCTION

### TOT605

**IMPORTANT //** Please ensure that you read through this user manual prior to installation and use. This manual contains important information to ensure optimal performance and keep you safe. Please retain your proof of purchase, as this will be required in the event that you require warranty service. Remember to retain this manual for future reference.

 **tisira**



[www.tisira.com](http://www.tisira.com)

# HELLO

**CONGRATULATIONS ON THE SELECTION OF THIS TISIRA APPLIANCE. TISIRA APPLIANCES HAVE BEEN SPECIFICALLY DESIGNED FOR AUSTRALIAN AND NEW ZEALAND KITCHENS.**

Please read through this user manual carefully as it contains information that will ensure that your appliance is installed correctly, important operating & care instructions and also some advice of what you need to do if this appliance is not performing as intended.

# CONTENTS

HELLO	2
CONTENTS	3
WARNING & SAFETY INFORMATION	4
PRODUCT OVERVIEW	6
ELECTRICAL CONNECTION	7-8
INSTALLATION	9-10
OPERATING INSTRUCTIONS	11-13
MAINTAINING YOUR OVEN	14-15
PRODUCT SPECIFICATIONS	16
WARRANTY TERMS & CONDITIONS	17
PROOF OF PURCHASE	18
NOTES	19
CONTACT DETAILS	20

# WARNING & SAFETY INFORMATION

To maintain the efficiency and safety of this appliance, we recommend that you do the following:

- Only call the Service Centers authorized by the manufacturer
- Always use original spare parts
- In case of damage to the power cord, a special purpose cord or component bought from the manufacturer or maintenance department shall be used for replacement

When handling the appliance, we recommend you always use the purpose provided handles recessed into the sides of the oven to prevent harming people or damaging the appliance itself.

This appliance is designed for non-professional, house-hold use and its functions must not be changed .

The electrical system of this appliance can only be used safely when it is correctly connected to an efficient earthing system in compliance with current safety standards.

During use, the appliance becomes hot. Care should be taken to avoid touching heating elements inside the oven.

**WARNING //** Accessible parts may become hot during use. To avoid burns, young children should be kept away.

**WARNING //** Accessible parts may become hot when the grill is in use. Children should be kept away.

**WARNING //** This appliance is not intended for use by persons (including children) with reduced physical, sensory or mental capabilities, or lack of experience and knowledge, unless they have been given supervision or instruction concerning use of the appliance by a person responsible for their safety.

**WARNING //** Children should be supervised to ensure that they do not play with the appliance.

The following items are potentially dangerous, and therefore appropriate measures must be taken to prevent children and the disabled from coming into contact with them:

- Controls and the appliance in general;
- Packaging (bags, polystyrene, nails, etc.);
- The appliance itself, immediately after use of the oven or grill due to the heat generated;

- The appliance itself, when no longer in use (potentially dangerous parts must be made safe)

**AVOID THE FOLLOWING:**

- Touching the appliance with wet parts of the body
- Using the appliance when barefoot
- Pulling on the supply cable to unplug it from the electrical outlet
- Improper or dangerous operations;
- Obstructing the ventilation or heat dissipation slots
- Allowing power supply cables of small appliances to come into contact with the hot parts of the appliance
- Exposing the appliance to atmospheric agents such as rain, or sunlight
- Using the oven for storage purposes;
- Using flammable liquids near the appliance
- Using adapters, multiple sockets and /or extension leads
- Attempting to install or repair the appliance without the assistance of qualified personnel

**QUALIFIED PERSONNEL MUST BE CONTACTED IN THE FOLLOWING CASES:**

- Installation (following the manufacturer’s instructions)
- When in doubt about operating the appliance
- Replacing the electrical socket when it is not compatible with the appliance plug

The temperature probe is a part of thermostat, if damaged; they shall be replaced overall by authorized service person. Only use a temperature probe recommended for this oven.

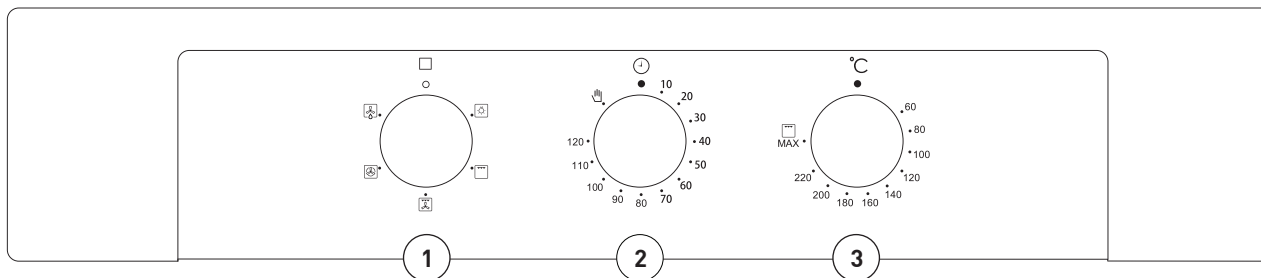
Service Centers authorized by the manufacturer must be contacted in the following cases:

- If in doubt about the soundness of the appliance after removing it from its packaging
- If the power supply cable has been damaged or needs to be replaced
- If the appliance breaks down or functions poorly; ask for original spare parts.
- Steam cleaner cannot be used to clean the oven
- Only use the appliance to cook food and nothing else
- Check the soundness of the appliance after it has been unpacked
- Disconnect the appliance from the electrical mains if it is not functioning properly and before cleaning or performing maintenance
- When left unused, unplug the appliance from the electricity mains
- Use oven gloves to place cookware in the oven or when removing it
- Always grip the oven door handle in the center as the extremities of the same may be hot due to any hot air leaks
- Make sure the knobs are in the “0” position when the appliance is not in use.

Cut the power supply cable after disconnecting it from the mains when you decide not to use the appliance any longer.

**NOTICE //** The manufacturer may not be held responsible for any damage due to: **Incorrect installation, improper, incorrect and irrational use.**

# PRODUCT OVERVIEW



## TOT605 // 600 ELECTRIC OVEN 5 FUNCTION

1. Function Selector
2. Manual Timer
3. Thermostat

# ELECTRICAL CONNECTION

## CONNECTING THE OVEN TO THE MAINS POWER SUPPLY

**NOTICE //** This appliance must be connected and installed in accordance with the manufacturers instructions.

### BEFORE MAKING THE CONNECTION

The electrical safety of this appliance can only be guaranteed if the cooker is correctly and efficiently earthed, in compliance with regulations on electrical safety.

Always ensure that the earthing is efficient; if you have any doubts call in a qualified technician to check the system. The manufacturer declines all responsibility for damage resulting from a system which has not been earthed.

**IMPORTANT //** Position the mains supply cable so that it is never subjected to a temperature which is more than 50°C above ambient temperature. The electrical safety of the appliance can only be guaranteed when it has been correctly connected to an efficient earthed power supply, as laid down in the regulations for electrical safety. The manufacturer cannot be held responsible for any damage to persons or objects due to lack of an earth connection.

### CONNECTION TO 15AMP POWER OUTLET


Check that the power rating of the mains supply and of the socket is suitable for the maximum power of the appliance as indicated on the specification plate. This appliance must be connected to a 220-240V 50Hz power supply. It is earthed via the cord and 15A plug.

**NOTICE //** After installation, the electrical power plug must be accessible.

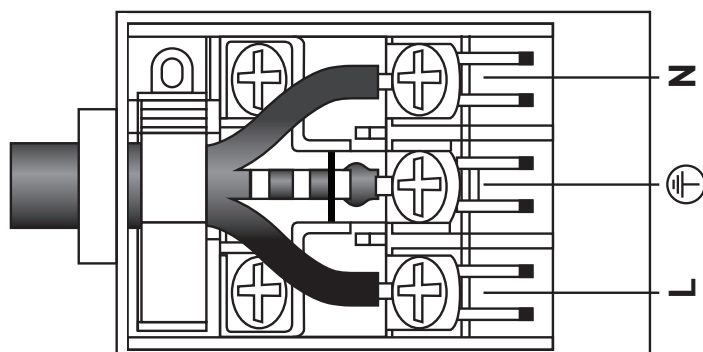
**WARNING //** If the supply cord is damaged, it must be replaced by the manufacturer or its service agent or a similarly qualified person in order to avoid a hazard.

# ELECTRICAL CONNECTION

## CONNECTION TO FIXED WIRING

- Use a H05RR-F or H05VV-F 3 x 1.5mm<sup>2</sup> supply cable to connect the appliance.
- Remove the wire clamp screw and the three contact screws L - N
- Fasten the wires beneath the screw heads using the following color scheme:
  - Blue (N = Neutral) Brown (L = Live)
  - Blue (N = Neutral) Brown (L = Live)
  - Yellow-Green (  = Earth)

Fasten the supply cable in place with the clamp and close the cover of the terminal board.



## CONNECTING THE SUPPLY CABLE TO THE MAINS

When connecting the cable directly to the mains, install an omnipolar circuit breaker with a minimum contact opening of 3mm between the appliance and the mains. The omni polar circuit breaker should be sized according to the load and should comply with current regulations (the earth wire should not be interrupted by the circuit breaker).

**WARNING //** If the supply cord is damaged, it must be replaced by the manufacturer or its service agent or a similarly qualified person in order to avoid a hazard.



# INSTALLATION

Only a qualified person in compliance with the instructions provided must install the appliance. The manufacturer declines all responsibility for improper installation, which may harm persons and animals and damage property.

**IMPORTANT //** The power supply to the appliance must be cut off before any adjustments or maintenance work is done on it.

**IMPORTANT //** Ensure that the appliance is installed with adequate ventilation as per the cutout requirements.

## INSTALLATION OF BUILT-IN OVENS

In order to ensure that the built-in appliance functions properly, the cabinet containing it must be appropriate. The figures overleaf (Figure 1 & Figure 2) give the dimensions of the cut-out for installation under the counter or in a wall cabinet unit.

In order to ensure adequate ventilation, the back panel of the cabinet unit must be removed. Installing the oven so that it rests on two strips of wood is preferable. (Figure 3 - see overleaf) If the oven rests on a continuous, flat surface, there must be an aperture of at least 45mm x 560mm. (Figure 4 - see overleaf)

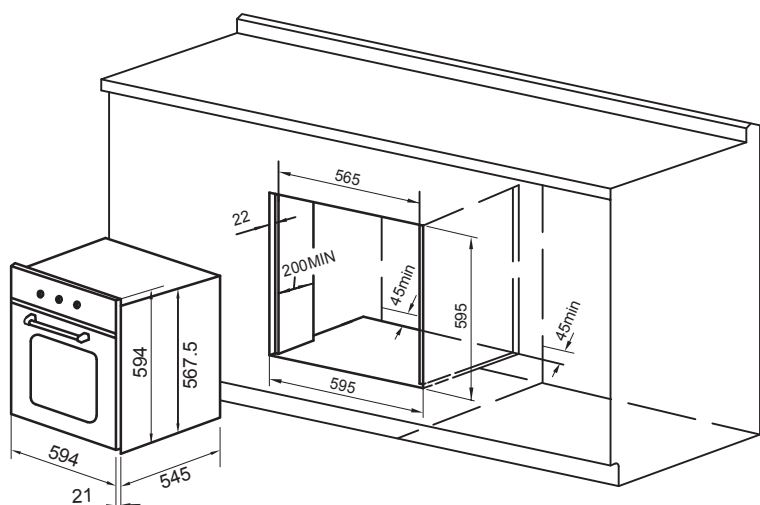
The panels of the adjacent cabinets must be made of heat-resistant material. In particular, cabinets with a veneer exterior must be assembled with glues which can withstand temperatures of up to 100°C.

In compliance with current safety standards, contact with the electrical parts of the oven must not be possible once it has been installed.

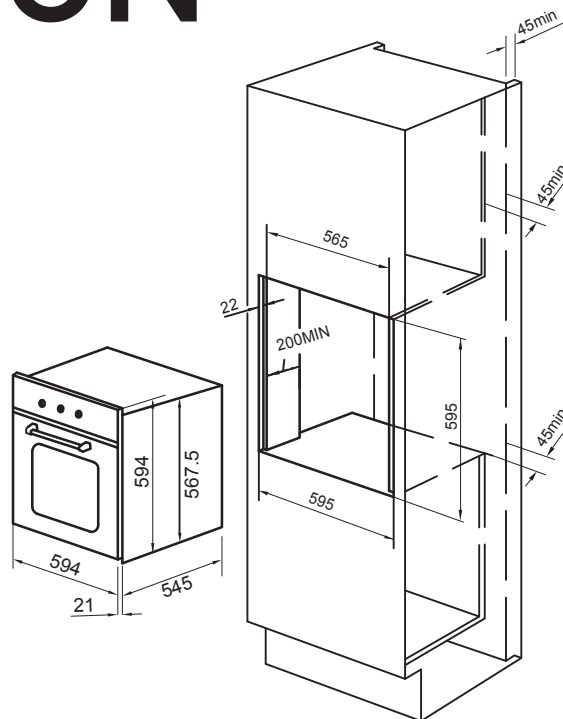
All parts, which ensure the safe operation of the appliance, must be removable only with the aid of a tool.

To fasten the oven to the cabinet, open the door of the oven and attach it by inserting the 4 wooden screws into the 4 holes located on the perimeter of the frame.

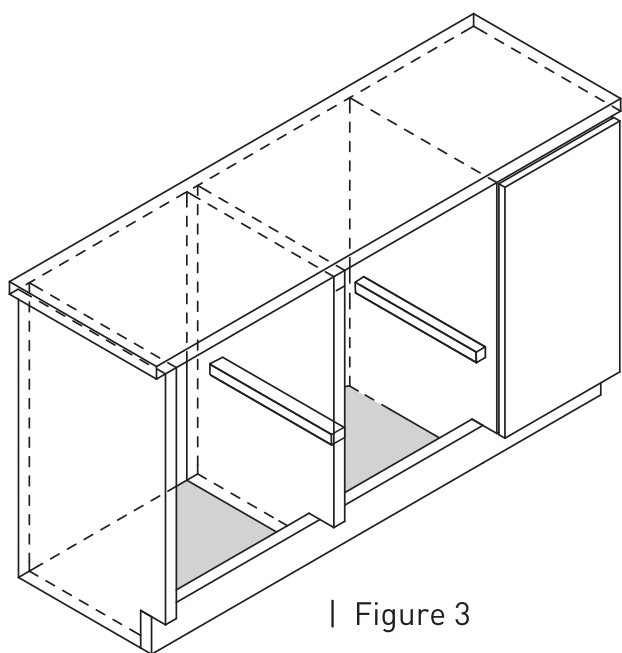
# INSTALLATION



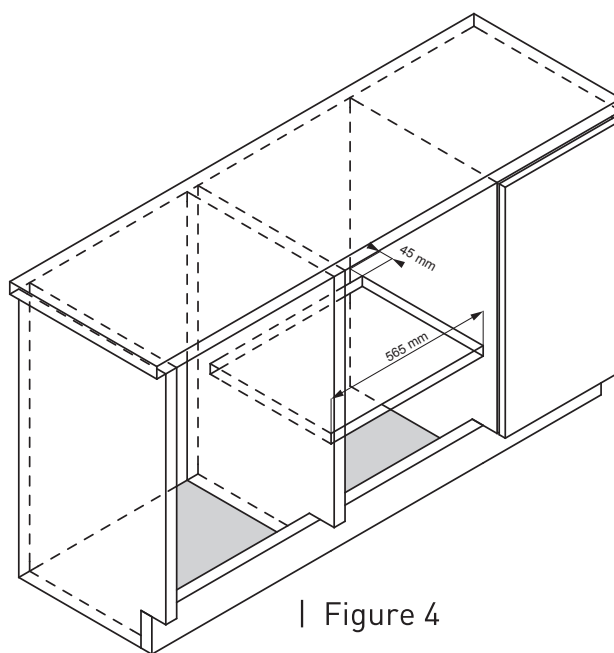
| Figure 1



| Figure 2



| Figure 3



| Figure 4

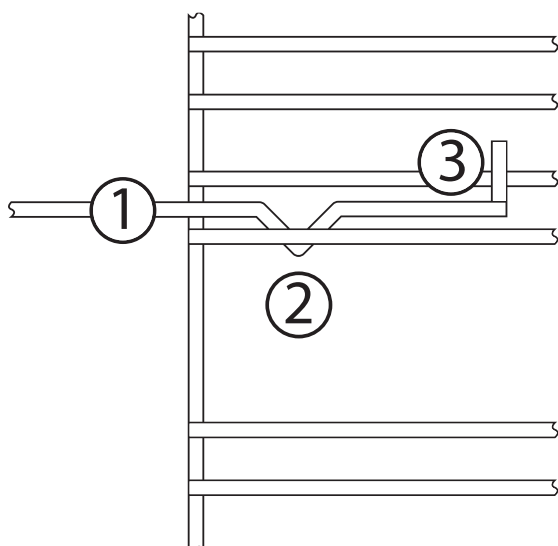
# OPERATING INSTRUCTIONS

This multifunction oven combines the advantages of traditional convection oven with those of the more modern fan assisted models in a single appliance.

It is an extremely versatile appliance that allows you to choose easily and safely between different cooking modes. The various features offered by the oven are selected by means of selector knob and thermostat situated on the control panel.


When adjusting or positioning your shelf, please ensure the following.

- Ensure that the shelf / tray is located between the two wire side-rack guides. (see point 1)
- The shelf stops should be facing downwards and towards the rear. (see point 2)
- The guard rail should always be located at the rear of the oven (see point 3)



**NOTICE //** The first time you use your appliance, we recommend that you set the thermostat to the highest setting and leave the oven on for about half an hour with nothing in it, with the oven door shut. Then, open the oven door and let the room air in. The odor that is often detected during this initial use is due to the evaporation of substances used to protect the oven during storage and until it is installed.

**NOTICE //** Never use the bottom shelf and never place anything on the bottom of the oven during operation as this could damage the enamel finishing. Place your cookware (dishes, aluminum foil, etc.) On the grid provided with the appliance inserted especially along the oven guides.

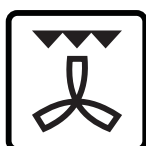
**NOTICE //** To use the oven in manual mode, (not using the end cooking time programmer) the  symbol must be aligned with the reference mark on the control panel.

# OPERATING INSTRUCTIONS



## GRILL

Position of thermostat knob: Max. The top central heating elements comes on. The extremely high and direct temperature of the grill makes it possible to brown the surface of meats and roasts while locking the juices in to keep them tender. The grill is also highly recommended for dishes that require a high temperature on the surface: beef steaks, veal, rib steak, filets, hamburgers etc.



## FAN ASSISTED GRILL

Position of thermostat knob: Between 60°C and 200°C. The top central heating elements and the fan come on. This combination of features increases the effectiveness of the heating elements unidirectional thermal radiation through forced circulation of the air throughout the oven. This helps prevent food from burning on the surface, allowing the heat to penetrate right into the food. Excellent results are achieved with kebabs made with meats and vegetables, sausages, ribs lamb chops, chicken in a spicy sauce, quail, and pork chops, etc.



## BAKING MODE

Position of thermostat knob: Between 60°C and 250°C. The rears heating element and the fan come on, guaranteeing delicate heat distribution uniformly throughout the oven.

This mode is ideal for baking and cooking delicate foods-especially cakes that need to rise, and for the preparation of certain tartlets on 3 shelves at the same time.

# OPERATING INSTRUCTIONS



## DEFROSTING MODE

Position of thermostat knob: Any The fan located on the bottom of the oven makes the air circulate at room temperature around the food .This is recommended for the defrosting of all types of food, but in particular for delicate types of food which do not require heat, such as for example: ice cream cakes, cream or custard desserts, fruit cakes. By using the fan, the defrosting time is approximately halved. In the case of meat, fish and bread, it is possible to accelerate the process using the “Baking” mode and setting the temperature to 80°C-100°C.



## THE OVEN LIGHT

Set knob to the symbol to turn it on. It lights the oven and stays on when any of the electrical heating elements in the oven come on.

## COOLING VENTILATION

In order to cool down the exterior of the appliance, this model is equipped with a cooling fan, which comes on automatically when the oven is hot.

When the fan is on, a normal flow of air can be heard exiting between the oven door and the control panel.

**NOTE //** When cooking is done, the fan stays on until the oven cools down sufficiently.

# MAINTAINING YOUR OVEN

Before cleaning your oven, or performing maintenance, disconnect it from the power supply.

To extend the life of your oven, it must be cleaned frequently, keeping in mind that:

- The enameled or stainless steel parts should be washed with lukewarm water without using any abrasive powders or corrosive substances which could ruin them; stainless steel could get stained. If these stains are difficult to remove, use special products available on the market.

After cleaning, it is advisable to rinse thoroughly and dry. The inside of the oven should preferably be cleaned immediately after use, when it is still warm, with hot water and soap. The soap should be rinsed away and the interior dried thoroughly. Avoid using abrasive detergents (for example cleaning powders, etc) and abrasive sponges for dishes or acids (such as lime scale remover etc. ) as these could damage the enamel.

If the grease spots and dirt are particularly tough to remove, use a special product for oven cleaning, following the instructions provided on the packet:

- Never use a steam cleaner for cleaning inside of oven.

- If you use your oven for an extended period of time, condensation may form. Dry it using a soft cloth.

- There is a rubber seal surrounding the oven opening which guarantees its perfect functioning. Check the condition of this seal on a regular basis. If necessary, clean it and avoid using abrasive products or objects to do so. Should it become damaged, please contact your nearest After-sales Service Center. We recommend you avoid using the oven until it has been repaired.

- Never line the oven bottom with aluminum foil, as the consequent accumulation of heat could compromise the cooking and even damage the enamel.

Clean the glass door using non-abrasive products or sponges and dry it with a soft cloth.

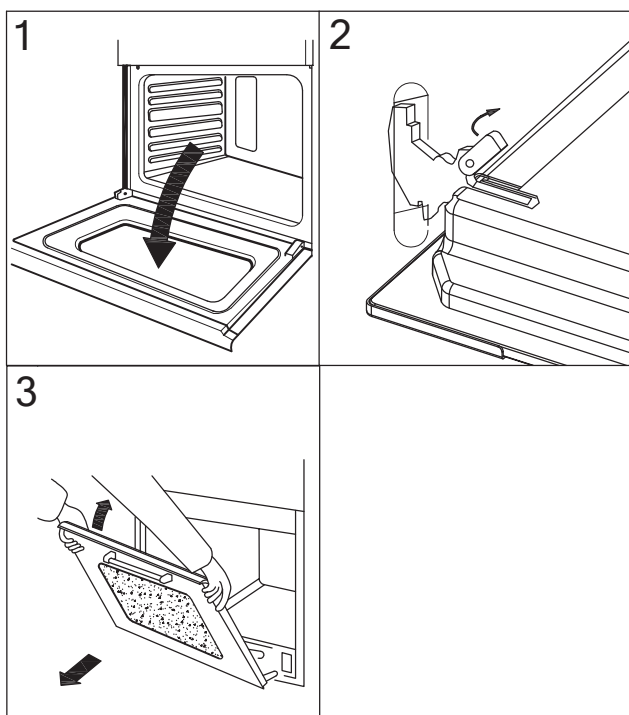
Do not use harsh abrasive cleaners or sharp metal scrapers to clean the oven door glass since they can scratch the surface, which may result in shattering of the glass.

# MAINTAINING YOUR OVEN

## HOW TO REMOVE THE OVEN DOOR

For a more thorough clean, you can remove the oven door. To do this, proceed as follows:  
Proceed as follows:

- Open the door fully
- Lift up and turn the small levers situated on the two hinges
- Grip the door on the two external sides shut it slowly but not completely
- Pull the door towards you, pulling it out of its seat
- To replace the door, reverse this sequence.



## REPLACING THE OVEN LAMP

**WARNING //** Ensure that the appliance is switched off before replacing the lamp to avoid the possibility of electric shock.

1. Disconnect the oven from the power supply by means of the omni polar switch used to connect the appliance to the electrical mains; or unplug the appliance if the plug is accessible
2. Remove the glass cover of the lamp-holder
3. Remove the lamp and replace with a lamp resistant to high temperatures (300°C) with the following characteristics:

- Voltage: 220 ~ 240V
- Wattage: 25W
- Type: E 14 /

Replace the glass cover and reconnect the oven to the mains power supply .

# PRODUCT SPECIFICATIONS

MODEL	VOLTAGE	WATTAGE
TOT605	220-240V~ 50-60Hz	2125W - 2560W



# WARRANTY TERMS & CONDITIONS

**These Terms and Conditions apply only to Tisira products distributed in Australia and New Zealand by Arisit Pty Limited.**

- This warranty applies for a period of 2 years parts and labour, Australia and New Zealand, commencing from date of purchase.
- Evidence of the date of purchase must be shown to the technician, when he calls, to obtain benefit under this warranty.
- This warranty applies only to the original purchaser/hire purchaser of this appliance and cannot be assigned or transferred. Failure to produce documentary proof of the date of original acquisition by the original purchaser will result in a charge being levied for work done, labour and parts supplied.
- This warranty does not apply to:
  - Serviceable items such as filters, fuses, light bulbs, door seals, drive belts, external hoses, etc.
  - Damage to body work, paint work, glass, trivets and plastic items (such as, but not limited to windows, covers, baskets, trays, worktops, door handles, control and kick panels.)
  - Corrosion & rust damage.
  - Damages/blockages caused by laundry or foreign objects.

A fee for service will be charged following warranty claims where no fault is found with the appliance.

- This warranty will not apply where:
  - The fault is caused by accident, misuse, oversuds, an infestation of vermin, fire, flood or the use of products not approved by Arisit Pty. Limited.
  - There has been a failure to comply, with the manufacturer's operating and installation instructions.
  - Service, modification or repair has been carried out by anybody other than an approved Tisira Service Technician.
  - The appliance has been used/installed anywhere other than a private dwelling, or where it has been used other than for domestic use.
  - The appliance is subject to a rental agreement.
- Any defective part that has been replaced becomes the property of Arisit Pty Limited.
- This warranty applies only to Tisira appliances purchased and installed in Australia and New Zealand.
- Loss of use of the appliance or consequential loss of any nature is not covered.
- A charge may be levied at the discretion of Arisit Pty Limited if the call is deemed unnecessary or if the cause of failure is traced to external sources such as, but not limited to: blown fuses, power failure, faulty installation, etc.
- Where the appliance, the subject of a warranty claim or repair, is used or installed more than TWENTY (20) kilometres from the nearest

Arisit Service Division or Authorised Service Agent, the cost of delivery to the nearest Service Division or travel costs for a technician or Authorised Service Agent shall be for the account of the Purchaser. Where a built-in appliance is located or installed outside the Arisit Authorised Service Agent's normal service area, additional travel and labour costs shall be the account of the Purchaser

- Arisit Pty Limited shall not under any circumstances be responsible in terms of this warranty for the replacement or repair of any part of the equipment which may have been damaged in transit, during and after installation or imperfections after installation.
- Losses caused by act of God, failure to obtain spare parts, strikes or lockouts are not covered.
- Service is offered during normal working hours only, also appliances to have clear access in a serviceable area.
- This warranty does not effect your statutory rights.
- Our goods come with guarantees that cannot be excluded under the Australian Consumer Law. You are entitled to a replacement or refund for a major failure and for compensation for any other reasonably foreseeable loss or damage. You are also entitled to have the goods repaired or replaced if the goods fail to be of acceptable quality and the failure does not amount to a major failure.

We reserve the right to amend any of the above without prior notice.

## Registration Form

To register for your warranty please complete and return this form to Arisit Pty Limited within 30 days of purchase.



Where did you first hear about Tisira?

- |  |  |
|--|--|
| <input type="checkbox"/> Advertising                 | <input type="checkbox"/> Tradesman's Recommendation        |
| <input type="checkbox"/> In Store Display            | <input type="checkbox"/> Recommendation by Friend/Relative |
| <input type="checkbox"/> Other (please specify)..... |  |

Would you like any further information on other Tisira appliances? Please specify

- |                                      |                                  |
|--------------------------------------|----------------------------------|
| <input type="checkbox"/> Cooking     | <input type="checkbox"/> Laundry |
| <input type="checkbox"/> Dishwashers | <input type="checkbox"/> All     |

Please print in block letters

Date of Purchase    /    /

Mr     Mrs     Ms

Name of Retailer .....

Initials                      Surname

Address .....

Address .....

Model Number .....

State.....                      Postcode.....

Serial Number .....

Telephone.....

Cut this section and mail to the country of purchase (see overleaf)

# PROOF OF PURCHASE

ATTACH YOUR PROOF OF PURCHASE  
FOR FUTURE REFERENCE





## CONTACT DETAILS

AUSTRALIA

### **ARISIT PTY LIMITED**

40-44 Mark Anthony Drive,  
Dandenong South, VIC 3175,  
Australia

P // 1300 762 219

F // 03 9768 0838

consumer.care@arisit.com

NEW ZEALAND

### **ARISIT PTY LIMITED**

PO Box 68-140  
Newton, Auckland 1145,  
New Zealand

P // 09 306 1020

F // 09 302 0077

sales@aristonappliances.co.nz

TISIRA IS COMMITTED TO ONGOING RESEARCH AND DEVELOPMENT.  
EVERY EFFORT HAS BEEN MADE TO ENSURE ALL INFORMATION IN  
THIS USER MANUAL IS CORRECT AT TIME OF GOING TO PRINT,  
DIMENSIONS SHOULD BE USED AS A REFERENCE ONLY AND ACTUAL  
DIMENSIONS SHOULD BE TAKEN FROM THE PHYSICAL PRODUCT ONLY.

MANUFACTURER RESERVES THE RIGHT TO CHANGE SPECIFICATIONS  
WITHOUT NOTICE.



# tisira

VERSION 1.2



[www.tisira.com](http://www.tisira.com)