



# USER MANUAL

## 600 & 900 // ELECTRIC OVEN

TOT604 | TOC608 | TOC909

**IMPORTANT //** Please ensure that you read through this user manual prior to installation and use. This manual contains important information to ensure optimal performance and keep you safe. Please retain your proof of purchase, as this will be required in the event that you require warranty service. Remember to retain this manual for future reference.



**tisira**



[www.tisira.com](http://www.tisira.com)

# HELLO

**CONGRATULATIONS ON THE SELECTION OF THIS TISIRA APPLIANCE. TISIRA APPLIANCES HAVE BEEN SPECIFICALLY DESIGNED FOR AUSTRALIAN AND NEW ZEALAND KITCHENS.**

Please read through this user manual carefully as it contains information that will ensure that your appliance is installed correctly, important operating & care instructions and also some advice of what you need to do if this appliance is not performing as intended.

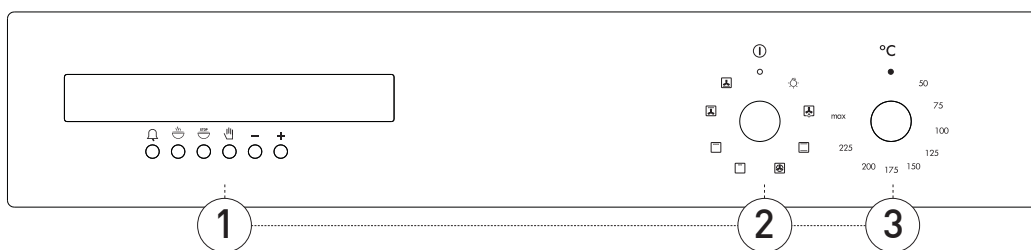
# CONTENTS

HELLO	2
CONTENTS	3
WARNING & SAFETY INFORMATION	4
PRODUCT OVERVIEW	5
ELECTRICAL CONNECTION	6
INSTALLATION	7-8
OPERATING INSTRUCTIONS	9-11
MANUAL TIMERS	12
6 BUTTON DIGITAL TIMER	12-14
3 BUTTON DIGITAL TIMER	15-16
MAINTAINING YOUR OVEN	17-18
PRODUCT SPECIFICATIONS	18
WARRANTY TERMS & CONDITIONS	19
CONTACT DETAILS	20

# WARNING & SAFETY INFORMATION

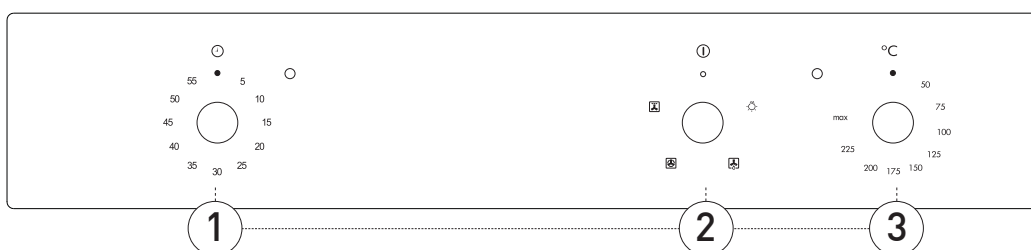
- This appliance is designed for indoor domestic use only. The manufacturer will not be held liable for any damages that might arise out of incorrect installation or improper, incorrect or unreasonable use of the appliance.
- This appliance is not intended for use by persons (including children) with reduced physical, sensory or mental capabilities, or lack of experience and knowledge, unless they have been given supervision or instruction concerning use of the appliance by a person responsible for their safety.
- The electrical system of the appliance may be only used safely when it is correctly connected to an efficient earthing system in compliance with the safety standards currently in effect.
- The electrical connection must be accessible after installation. The appliance must be electrically isolated before any maintenance is performed including changing the light globe.
- Young children should be supervised to ensure that they do not play with the appliance.
- There is a fire risk if cleaning is not carried out in accordance with the instructions. You must read the details concerning the method and frequency of cleaning.
- If the supply cord of this equipment is damaged, it must only be replaced by the manufacturer or its service agent or a similarly qualified person in order to avoid a hazard.
- This appliance must be installed correctly by a suitably qualified person, strictly in accordance with the manufacturer's instructions.
- Never line the bottom of the oven with aluminium foil or rest pans on the base of the oven, as this will damage your oven enamel coating and void warranty.
- When the appliance is not in use it must be left in the 'off' position.
- All cabinetry and surrounding materials that is used in the installation of this oven must be able to withstand a minimum 50°C above the ambient room temperature whilst the oven is in use. Consult your kitchen manufacture to ensure the surfaces will not be affected by heat. Damage caused by the appliance that is not installed in accordance with the temperate limit will be the liability of the owner.
- **WARNING //** The oven will become hot during and after use. Do not touch any component during this time as they may be hot and cause burns. Do not touch the heating elements inside the oven to avoid burns. Children should be kept away. Use heat resistant cooking gloves where ever possible when moving food and accessories in and out of your oven.

# PRODUCT OVERVIEW



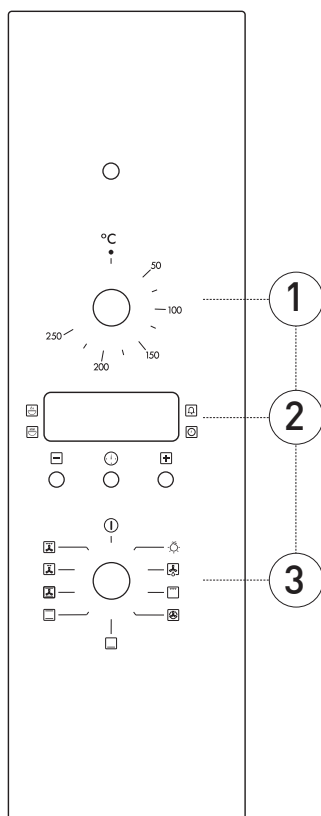
## TOC608 // 600 ELECTRIC OVEN 8 FUNCTION

1. 6 Button digital timer 2. Function selector 3. Thermostat



## TOT604 // 600 ELECTRIC OVEN 4 FUNCTION

1. Manual timer 2. Function selector 3. Thermostat



## TOC909 // 900 ELECTRIC OVEN 9 FUNCTION

1. Thermostat  
2. 3 Button digital timer  
3. Function selector

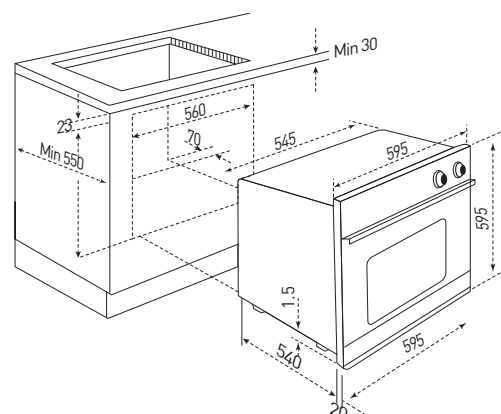
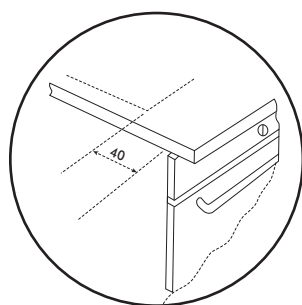
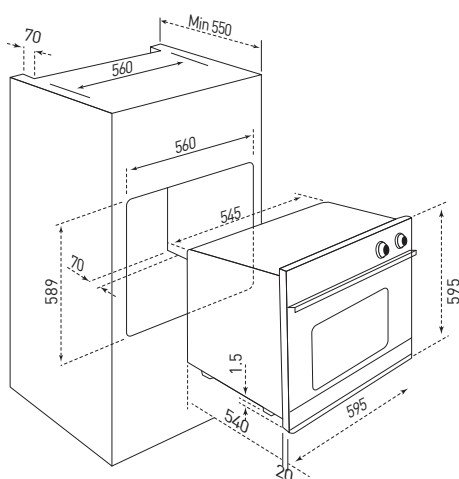
# ELECTRICAL CONNECTION

**NOTICE //** This appliance must be connected only by a licensed electrician and installed in accordance with the manufacturer's instructions.

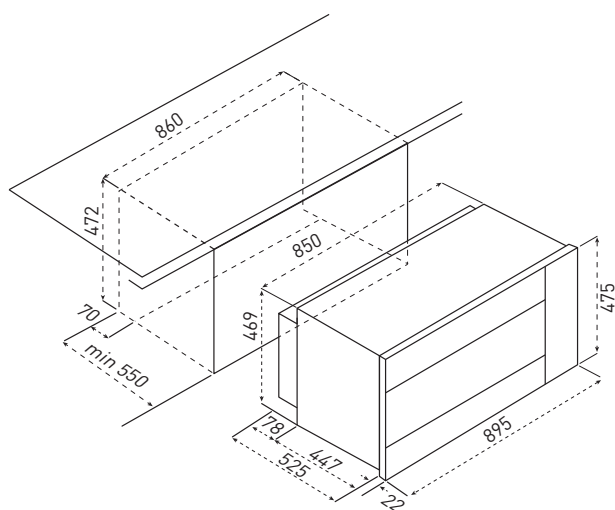
- Check that the power rating of the mains supply and of the sockets are suitable for the maximum power of the appliance as indicated on the specification plate. This oven must be connected to a 220-240V 50Hz power supply. It is earthed via the cord and 15A plug.
- If the appliance is fitted with a supply lead and is not fitted with a plug, then permanently connect it to the fixed wiring as follows:
  - The "yellow/green" earth wire, which must be connected to terminal, has to be about 10mm longer than the other wires; the "blue" neutral wire has to be connected to the terminal marked with letter N.
  - "Black, brown, red" live wires have to be connected to terminal L. Mains connection can also be made by fitting a double pole switch with a minimum gap between the contacts of 3mm, proportionate to the load and complying with the regulations in force.
  - The yellow/green earth wire should not be controlled by the switch.
  - The plug or a double pole switch used for mains supply connection should be easy to get at, once the appliance is in position.

**IMPORTANT //** Position the mains supply cable so that it is never subjected to a temperature which is more than 50°C above ambient temperature. The electrical safety of the appliance can only be guaranteed when it has been correctly connected to an efficient earthed power supply, as laid down in the regulations for electrical safety. The manufacturer cannot be held responsible for any damage to persons or objects due to lack of an earth connection. If the supply cord is damaged, it must be replaced by the service agent or similarly qualified person in order to avoid a hazard.

# INSTALLATION



TOT604 & TOC608 // ELECTRIC OVEN



TOC909 // ELECTRIC OVEN

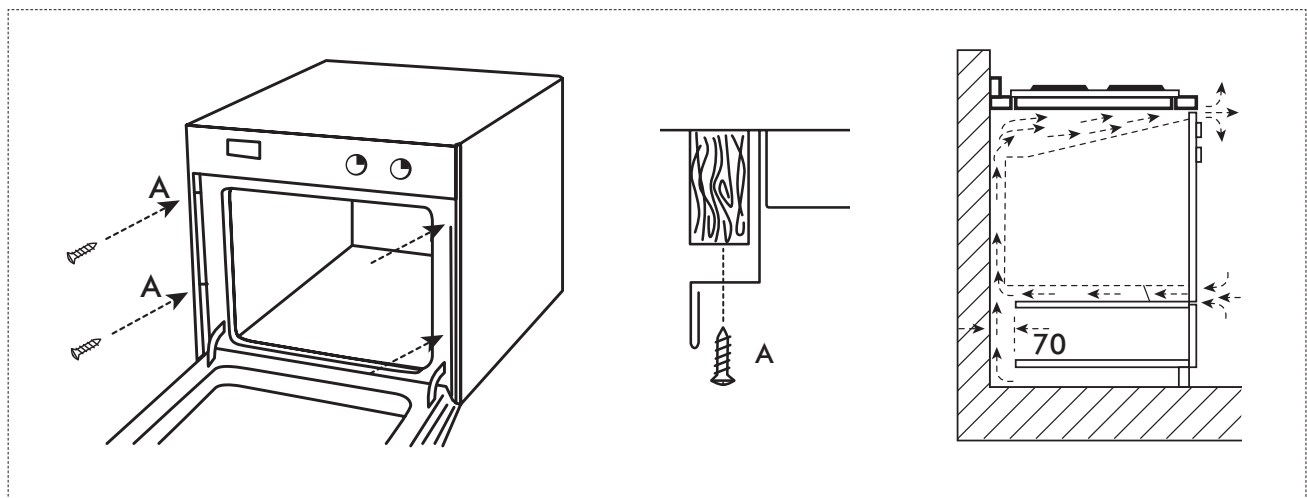
\* ALL DIMENSIONS IN MM

# INSTALLATION

**IMPORTANT //** The panels of the adjoining furniture should be heat resistant. Particularly when the adjoining furniture is made of veneered wood, the adhesives should be able to withstand a temperature of 120°C. To comply with safety regulations, once the appliance has been fitted it should not be possible to make contact with the electrical parts. All parts, which offer protection, should be fixed in such a way that they cannot be removed without the use of a tool.

To ensure that the oven works as intended it is important to install the unit as shown in the diagram and allow enough airflow to enable to ovens cooling system to perform.

Fit the appliance into its surround (beneath a work-top or above another appliance) by inserting screws into the 4 holes that can be seen in the frame of the oven when the door is open.



**IMPORTANT //** The first time you switch the oven on, some smoke may appear. These are the coatings used to protect your appliance during transport and storage. There is nothing unusual about this. If it happens, simply wait until the smoke disappears before putting any food in the oven. Never roast or bake on the base of the oven.



# OPERATING INSTRUCTIONS

Turning the function selector to the required function and setting the desired temperature (in a clockwise direction) will turn on your oven ready for use.

**NOTICE //** Your oven is equipped with a thermostatically controlled cooling fan that will switch on when required to cool the oven door and cabinetry. This fan may continue to run even after the oven is switched off, but will automatically turn off when the cavity is sufficiently cool. Some air may discharge from the front of the oven this is a normal function.

## GENERAL FUNCTIONS GUIDE



LIGHT

Only the oven light comes on. It remains on in all the cooking functions.



DEFROST

The air at ambient temperature is distributed inside the oven for defrosting food more quickly.



NATURAL  
CONVECTION

Both the lower and upper elements operate together. This traditional cooking function is good for roasting, baking and crisping food. Good results are achieved by adjusting the shelf height to suit your cooking requirements. Temperature range: 50°C – MAX.



FAN  
FORCED

Both the oven fan and the circular heating element operate together. The fan forced function distributes the heat evenly inside the oven. This is ideal for variety of cooking styles; roasting, baking, pastries, re-heating food, casseroles and multi-level cooking. Temperature range: 50°C – MAX.



MED.  
GRILL

The grill element operates to give top down heat only. This is ideal for grilling small quantities of food. The door should be closed for short grilling times (less than 10 minutes) Temperature range: 50°C – 225°C



MAX.  
GRILL

The full grill element operates to give top down heat only. This is ideal for traditional grilling of food. Temperature range: 50°C – 225°C

# OPERATING INSTRUCTIONS



FAN GRILL

The full grill element and the fan operate together, with the fan circulating the heat generated by the grill element. This function is ideal for cooking tender cuts of meat and poultry. Temperature range: 50°C – 200°C



FAN BAKE

The bottom element and the fan operate together. This function is ideal for cooking food that require heat from the base with the additional benefit of the heat being circulated by the fan. Temperature range: 50°C – MAX.



BAKE

The bottom element operates to generate heat from the base of the oven. This function is used for cooking pizza and other food that requires only heat from the bottom. Temperature range: 50°C – MAX.

## ROTISSERIE OPTION – available only on select 900mm models\*

An optional rotisserie kit can be purchased from your nearest service centre that features a removable multiple skewer rotisserie. The rotisserie is positioned parallel to the back of the oven (Fig. A).

### USING THE ROTISSERIE

1. Slide the meat to be cooked into the spit lengthwise, keeping it in place with the adjustable forks. With kebabs, slide the meat to be cooked into the skewers provided and place them on the appropriate holders.
2. Slide the holders, “A” and “B” in Fig. A, into the appropriate holes in the dripping-pan, rest the groove end of the rod on the guide “D” and slide the rack onto the bottom guide (Fig.B).
3. Slide the rod into the hole for the motor shaft and place the grooved end of the rod on the guide “C”.
4. Start the motor by turning the knob to the grill setting.

# OPERATING INSTRUCTIONS

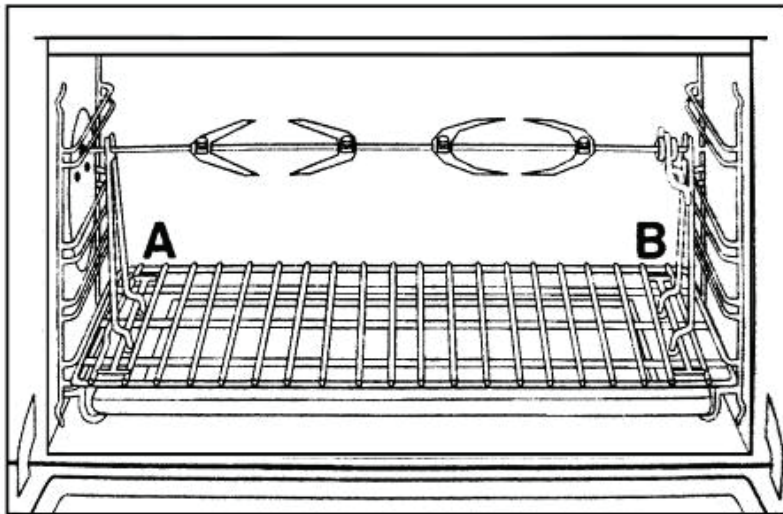


FIG. A

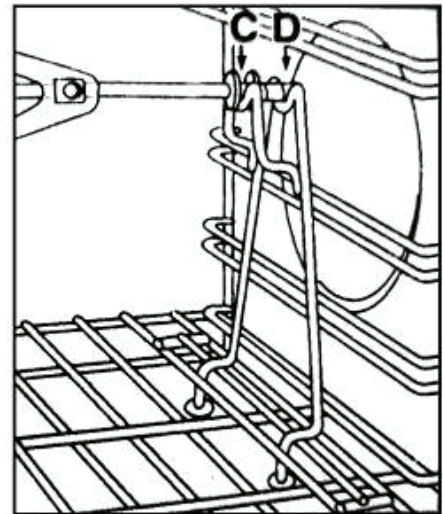


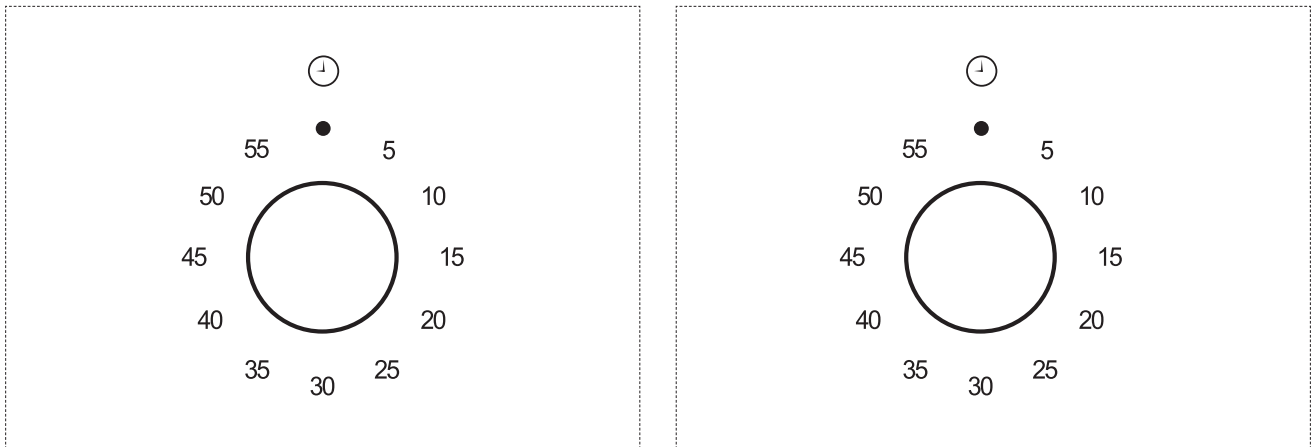
FIG. B

\* Available on the TOC909 & TOCR909

# MANUAL TIMERS

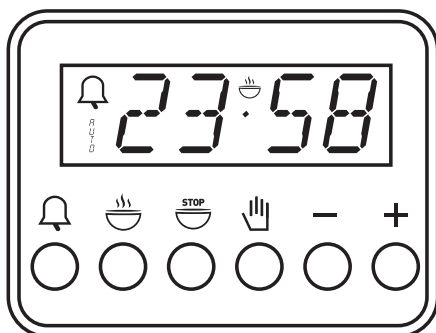
## MINUTE TIMER

Turn the knob clockwise to set the desired cooking time. The minute counter can be adjusted from 1 to 60 minutes or 1 to 120 minutes. A sound signal will inform you that the chosen time is up.



# 6 BUTTON DIGITAL TIMER

The operation of this timer is done using 6 buttons. The functions of the buttons are:



MINUTE  
COUNTER



END  
TIME



SUBTRACT  
TIME



COOKING  
TIME



MANUAL



ADD  
TIME

With this arrangement it is possible to select the following four functions:

- Minute counter
- Operation stop
- Operation period
- Time-of-day

## DISPLAY

Cooking time and manual function = saucepan symbol

Automatic function = AUTO

Minutes counter = bell symbol

## SETTING

To set, press and release the desired function, and within 5 seconds set the time with + and - buttons. To increase the speed of the time selection, hold the + or - button in for a longer period.

## SETTING THE TIME

Press any two buttons (cooking time, end time, minutes counter) at the same time, and + or - button to set the desired time; this deletes any previously set program. The contacts are switched off and the AUTO symbol flashes.

## MANUAL USE

By pressing the manual button the relay contacts switch on, the AUTO symbol switches off and saucepan symbol lights up. Manual operation can only be enabled after the automatic program is over or it has been cancelled.

## AUTOMATIC USE

Press the cooking time or end time button to automatically form the manual to the automatic function.

## SEMI-AUTOMATIC USE WITH COOKING TIME SETTING

Press the cooking time button and set the desired time with + or -, the AUTO and cooking time symbols light up continuously. The relay switches on immediately. When the cooking end time corresponds to the time of day, the relay and the cooking time symbol switch off; the sound signal rings and the AUTO symbol flashes.

## SEMI-AUTOMATIC USE WITH END TIME SETTING

Press the end time button. The time of day appears on the display. Set the cooking end time with + button. The AUTO and cooking time symbols light up continuously. The relay contacts switch on. When the cooking end time corresponds to the time of day, the relay and the cooking time symbol switch off. When the cooking time is up. The AUTO symbol flashes, the sound signal rings and both the relay and the cooking time button switch off.

## **AUTOMATIC USE WITH COOKING TIME AND END TIME SETTING**

Press the cooking time button and select the length of the cooking time with + or – button. The AUTO and cooking time symbols light up continuously. The relay switches on. By pressing the cooking end time button the next cooking end time appears on the display. Set the cooking end time with + button. The relay and the cooking time symbol switch off and the symbol lights up again when the time of day corresponds to the cooking start time. When the cooking time is up, the AUTO symbol flashes, the sound signal rings, the cooking time symbol and the relay switch off

## **MINUTES COUNTER**

Press the minutes counter button and set the cooking time with + or – button. The bell symbol lights up when the minutes counter is operating, when the set time is up, the sound rings and the bell symbol switches off.

## **SOUND SIGNAL**

The sound signal starts at the end of a program or of the minutes counter function and it lasts for 15 minutes. To stop it, push any one of the functions buttons.

## **START PROGRAM AND CHECK**

The program starts 4 seconds after it has been set. The program can be checked at any time by pressing the corresponding button.

## **SETTING ERROR**

A setting error is made if the time of day on the clock falls within the cooking start and end times. To correct the setting error, change the cooking time or cooking end time the relays switch off when a setting error is made.

## **CANCELLING A SETTING**

To cancel a setting, press the cooking time button and then press the – button until 00:00 appears on the display. A set program will automatically cancel on completion.

# 3 BUTTON DIGITAL TIMER

The operation of this timer is done using 3 buttons. The functions of the buttons are:



With this arrangement it is possible to select the following four functions:

- Minute counter
- Operation stop
- Operation period
- Time-of-day

These modes can be selected by repeatedly pressing the mode button. The desired time for minute counter, operation period, operation stop or time-of-day can be set with the “+” and “-” buttons.

## TIME OF DAY

When connected to mains supply the display shows 12.00 o'clock and the “Time” LED flashes. As long as it is flashing, it is possible to adjust the time via the plus and minus buttons. Once the time is adjusted, it is stored approx. 5 seconds after the last operation, the “Time” LED goes dark again. It is possible to adjust the time-of-day by pressing the mode button until “Time” LED flashes, then the time-of-day can be adjusted.

## MINUTE COUNTER (INTERVAL TIME)

In order to set the interval time, the “Mode” button has to be pressed repeatedly until “Minute Counter” LED is flashing. Then the interval time can be set between 0.01 and 2.30 h by using the plus and minus buttons. After setting the interval time, it remains displayed and the “Minute Counter” LED is now illuminated steadily. After the interval time has run down, the alarm signal

sounds (2 beeps every 2 seconds) and the “Minute Counter” LED is flashing again. Pressing any of the buttons stops the signal and the flashing, the LED goes dark and the display reverts to the time-of-day. If the alarm is not stopped manually, it terminates automatically after 2 minutes. The minute counter can be applied at any time while other functions are operative.

## OPERATION PERIOD

In order to set an operation period, the mode button has to be pressed repeatedly until the “Cooking Time” LED is flashing. Then the desired operation period (time frame between 0.01h and 10.00h) can be set using the plus and minus buttons. Once adjusted, it will be stored after approx. 5 seconds, the “Cooking Time” LED remains illuminated steadily, and the set time starts running down. The display reverts to the time-of-day. As soon as the operation period has ended, the relay opens and the alarm signal sounds (4 beeps every 2 seconds) and the “Cooking Time” LED is flashing again. Pressing any of the buttons stops the signal and the flashing, the LED goes dark and the relay closes again. If the alarm is not stopped manually, it terminates automatically after 2 minutes.

## OPERATION STOP

In order to set an operation stop, the mode button has to be pressed repeatedly until the “End Time” LED is flashing. Then the desired operation stop, which is limited to a point being maximally 23.59 h in the future, can be set using the plus and minus buttons. Once adjusted it will be stored after approx. 5 seconds, and the “End Time” LED remains illuminated steadily. The display reverts to the time-of-day. As soon as the operation stop has been reached, the relay opens and the alarm signal sounds (4 beeps for 2 minutes) and the “End Time” LED is flashing. Pressing any of the buttons stops the signal and the flashing, the LED goes dark and the relay closes again.

It is possible to combine the duration and end time in order to program a delayed mode. To do this, both the operation period and operation stop time have to be set (above). “Cooking Time” LED and “End Time” LED are illuminated and the baking process will start at a point in time “operation stop minus operation period”. If a baking process ought to be finished at 12.00 and shall last 1.30 h, both times have to be set in the respective modes, and the timer will switch on the oven at 10.30. The timer is capable to avoid conflicts during the programming. (Eg with an operation period of 60 minutes resp. 1.00 hr set, and the time-of-day being 11.34 o'clock, then the operation stop can be earliest at 12.34 o'clock.)

**NOTICE //** A running program can be checked and corrected at any time. In order to avoid conflicts, it is not possible to set the time of day when an automatic program is active.



# MAINTAINING YOUR OVEN

## GENERAL MAINTENANCE

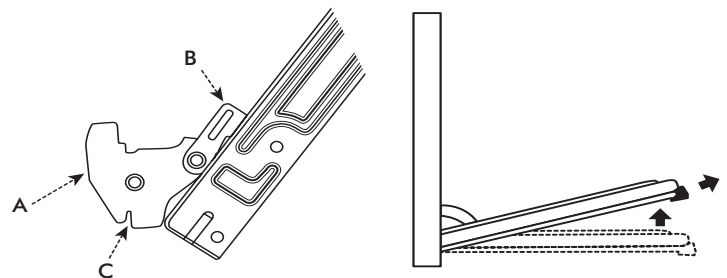
Ensure that the power to the unit is switched off prior to cleaning the unit. Surface should only be cleaned with warm soapy water and a soft non abrasive cloth. In coastal environments and humid areas more frequent cleaning is required to maintain the finish.

To extend the life of your oven, it must be cleaned frequently, keeping in mind that:

- Do not use steam equipment to clean the appliance.
- To protect against the risk of electrical shock, do not immerse the unit, cord or plug in water or other liquid or sprinkle water to clean the appliance!
- Don't clean the appliance when it is hot! The inside and external surface of the oven should preferably be cleaned by damp cloth when it is cooled down. Wash all accessories in hot soapy water, wipe dry with a paper or cloth towel.
- If you use your oven for an extended period of time, condensation may form. Dry it using a soft cloth.
- There is a rubber seal surrounding the oven opening, which guarantees its perfect functioning. Check the condition of this seal on a regular basis. If necessary, clean it and avoid using abrasive products or objects to do so. Should it become damaged, please contact your nearest service centre. We recommend you avoid using the oven until it has been repaired.
- Never line the oven bottom with aluminum foil, as the consequent accumulation of heat could compromise the cooking and even damage the enamel.
- Clean the glass door using damp cloth and dry it with a soft cloth.
- Do not use harsh abrasive cleaners or sharp metal scrapers to clean the oven door glass since they can scratch the surface, which may result in shattering of the glass.

## DOOR REMOVAL

Your oven is fitted with a removable door. To remove the door open the door fully, engage the doorstop [B] on the left and right hinge. [A] Carefully start to close the door, the door will start to release from the hinge supports the door can be then removed. When re-installing the door ensure the hinges are slid into their slots [C] fully engages in the base of the hinge support.

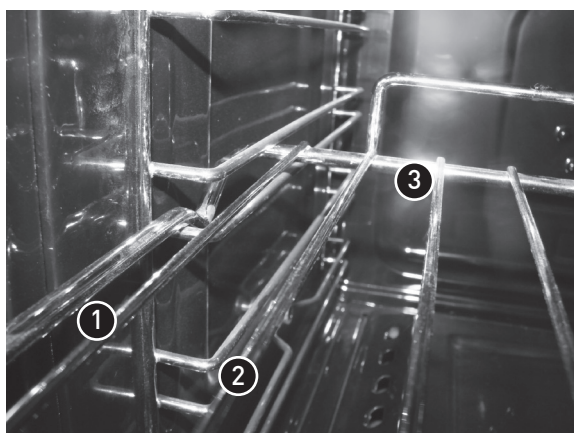


## LAMP REPLACEMENT

**WARNING //** Ensure that the appliance is completely cool and that the power to the unit has been switched.

Your oven is fitted with E14 15W oven lamps (300°C). Replacement lamps can be purchased from your nearest service centre. To remove the lamp, twist the cover in an anti-clockwise direction. Unscrew the lamp and replace it with a new lamp. Replace the cover.

## ADJUSTING THE SHELF / TRAY POSITION



When adjusting or positioning your shelf, please ensure the following.

- Ensure that the shelf / tray is located between the two wire side-rack guides. (see point 1)
- The shelf stops should be facing downwards and towards the rear. (see point 2)
- The guard rail should always be located at the rear of the oven (see point 3)

# PRODUCT SPECIFICATIONS

MODEL	VOLTAGE	WATTAGE
TOT604	220 - 240V~ 50Hz	2700 - 3220W
TOC608	220 - 240V~ 50Hz	2700 - 3220W
TOC909	220 - 240V~ 50Hz	2800 - 3400W
TOCR909	220 - 240V~ 50Hz	2800 - 3400W

# WARRANTY TERMS & CONDITIONS

**These Terms and Conditions apply only to Tisira products distributed in Australia and New Zealand by Arisit Pty Limited.**

1. This warranty applies for a period of 2 years parts and labour, Australia and New Zealand, commencing from date of purchase.
2. Evidence of the date of purchase must be shown to the technician, when he calls, to obtain benefit under this warranty.
3. This warranty applies only to the original purchaser/hire purchaser of this appliance and cannot be assigned or transferred. Failure to produce documentary proof of the date of original acquisition by the original purchaser will result in a charge being levied for work done, labour and parts supplied.
4. This warranty does not apply to:
  - a) Serviceable items such as filters, fuses, light bulbs, door seals, drive belts, external hoses, etc.
  - b) Damage to body work, paint work, glass, trivets and plastic items (such as, but not limited to windows, covers, baskets, trays, worktops, door handles, control and kick panels.)
  - c) Corrosion & rust damage.
  - d) Damages/blockages caused by laundry or foreign objects.

A fee for service will be charged following warranty claims where no fault is found with the appliance.
5. This warranty will not apply where:
  - a) The fault is caused by accident, misuse, oversuds, an infestation of vermin, fire, flood or the use of products not approved by Arisit Pty. Limited.
  - b) There has been a failure to comply, with the manufacturer's operating and installation instructions.
  - c) Service, modification or repair has been carried out by anybody other than an approved Tisira Service Technician.
  - d) The appliance has been used/installed anywhere other than a private dwelling, or where it has been used other than for domestic use.
  - e) The appliance is subject to a rental agreement.
6. Any defective part that has been replaced becomes the property of Arisit Pty Limited.
7. This warranty applies only to Tisira appliances purchased and installed in Australia and New Zealand.
8. Loss of use of the appliance or consequential loss of any nature is not covered.
9. A charge may be levied at the discretion of Arisit Pty Limited if the call is deemed unnecessary or if the cause of failure is traced to external sources such as, but not limited to: blown fuses, power failure, faulty installation, etc.
10. Where the appliance, the subject of a warranty claim or repair, is used or installed more than TWENTY (20) kilometres from the nearest Arisit Service Division or Authorised Service Agent, the cost of delivery to the nearest Service Division or travel costs for a technician or Authorised Service Agent shall be for the account of the Purchaser. Where a built-in appliance is located or installed outside the Arisit Authorised Service Agent's normal service area, additional travel and labour costs shall be the account of the Purchaser.
11. Arisit Pty Limited shall not under any circumstances be responsible in terms of this warranty for the replacement or repair of any part of the equipment which may have been damaged in transit, during and after installation or imperfections after installation.
12. Losses caused by act of God, failure to obtain spare parts, strikes or lockouts are not covered.
13. Service is offered during normal working hours only, also appliances to have clear access in a serviceable area.
14. This warranty does not effect your statutory rights.
15. Our goods come with guarantees that cannot be excluded under the Australian Consumer Law. You are entitled to a replacement or refund for a major failure and for compensation for any other reasonably foreseeable loss or damage. You are also entitled to have the goods repaired or replaced if the goods fail to be of acceptable quality and the failure does not amount to a major failure.

We reserve the right to amend any of the above without prior notice.

## Registration Form

To register for your warranty please complete and return this form to Arisit Pty Limited within 30 days of purchase.



Where did you first hear about Tisira?

- |                                                       |                                                            |
|-------------------------------------------------------|------------------------------------------------------------|
| <input type="checkbox"/> Advertising                  | <input type="checkbox"/> Tradesman's Recommendation        |
| <input type="checkbox"/> In Store Display             | <input type="checkbox"/> Recommendation by Friend/Relative |
| <input type="checkbox"/> Other (please specify) ..... |                                                            |

Would you like any further information on other Tisira appliances? Please specify

- |                                      |                                  |
|--------------------------------------|----------------------------------|
| <input type="checkbox"/> Cooking     | <input type="checkbox"/> Laundry |
| <input type="checkbox"/> Dishwashers | <input type="checkbox"/> All     |

Please print in block letters

Date of Purchase    /    /

Mr     Mrs     Ms

Name of Retailer .....

Initials                      Surname

Address .....

Address .....

Model Number .....

State.....                      Postcode.....

Serial Number .....

Telephone.....

Cut this section and mail to the country of purchase (see overleaf)



## CONTACT DETAILS

AUSTRALIA

### **ARISIT PTY LIMITED**

40-44 Mark Anthony Drive,  
Dandenong South, VIC 3175,  
Australia

P // 1300 762 219

F // 03 9768 0838

consumer.care@arisit.com

NEW ZEALAND

### **ARISIT PTY LIMITED**

PO Box 68-140  
Newton, Auckland 1145,  
New Zealand

P // 09 306 1020

F // 09 302 0077

sales@aristonappliances.co.nz



# tisira

TISIRA IS COMMITTED TO ONGOING RESEARCH AND DEVELOPMENT. EVERY EFFORT HAS BEEN MADE TO ENSURE ALL INFORMATION IN THIS USER MANUAL IS CORRECT AT TIME OF GOING TO PRINT. DIMENSIONS SHOULD BE USED AS A REFERENCE ONLY AND ACTUAL DIMENSIONS SHOULD BE TAKEN FROM THE PHYSICAL PRODUCT ONLY.

MANUFACTURER RESERVES THE RIGHT TO CHANGE SPECIFICATIONS WITHOUT NOTICE.



[www.tisira.com.au](http://www.tisira.com.au)

VERSION 1.0